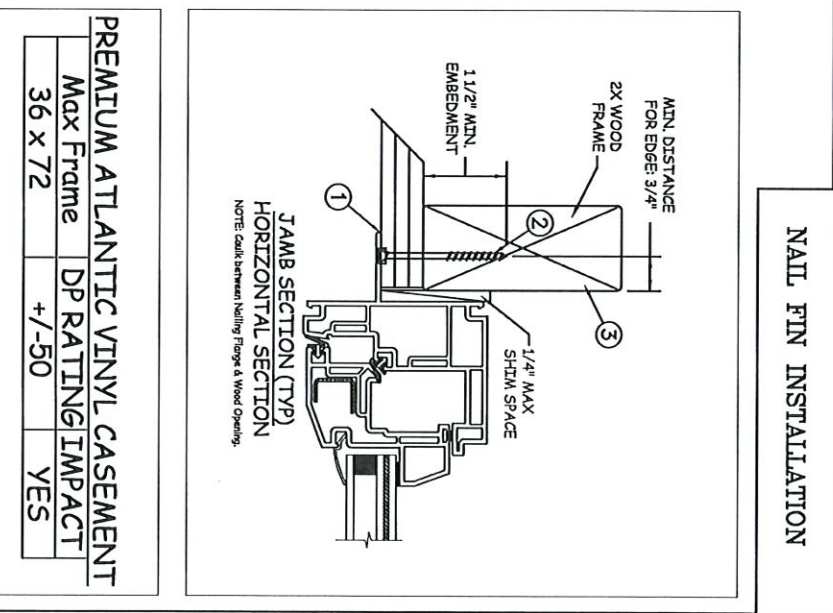
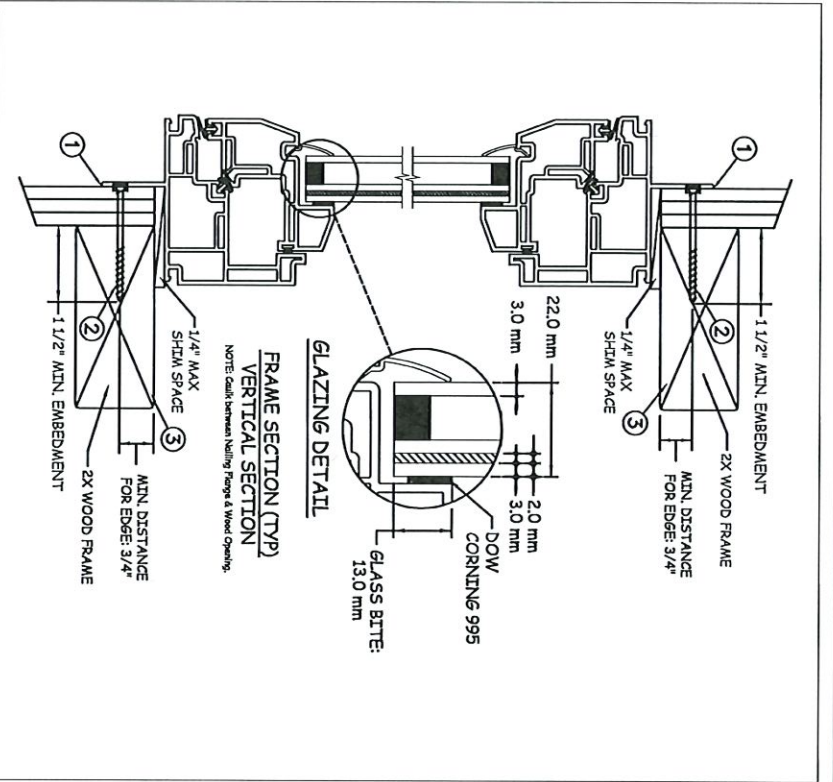
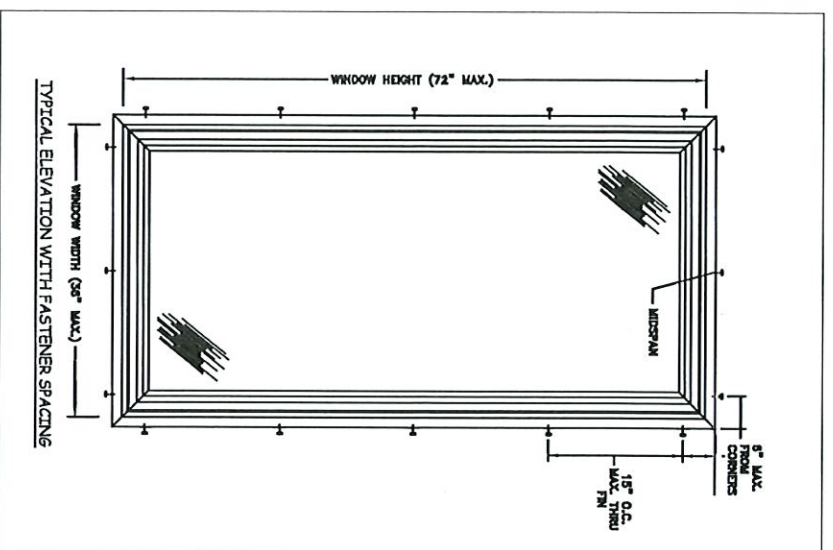


NAIL FIN INSTALLATION



PREMIUM ATLANTIC VINYL CASEMENT

| | |
|-----------|------------------|
| Max Frame | DP RATING IMPACT |
| 36 x 72 | +/-50 |
| | YES |

Installation Notes:

1. Seal flange/frame to substrate.
2. Use #10 PH or greater fastener through the nail fin with sufficient length to penetrate a minimum of 1 1/2" into the wood framing. For 2x wood frame substrate (min. S.G. = 0.42).
3. Host structure (wood buck, masonry, steel) to be designed and anchored to properly transfer all loads to the structure. The host structure is the responsibility of the architect or engineer of record for the project of installation.

General Notes:

1. The product shown herein is designed, tested and manufactured to comply with the wind load criteria of the adopted International Building Code(IBC), the International Residential Code(IRC), the Florida Building Code(FBC) including HVHZ and the industry requirement for the stated conditions.
2. All glazing shall conform to ASTM E1300.
3. At minimum, glazing is 3mm annealed - 13mm airspace - 3mm annealed - 2mm PVB or SGP - 3mm annealed.
4. Use structural or composite shims where required.
5. Installation methods can be interchanged within the same opening.
6. An impact protective system is not required where wind borne debris protection is mandated by local building code.
7. Maximum sizes are buck sizes and do not include fin or flange.

This schedule addresses only the fasteners required to anchor the window to achieve the rated design pressure up to the size limitations noted. It is not intended as a guide to the installation process and does not address he sealing consideration that may arise in different wall conditions. For the complete installation procedure, see the instructions packaged with the window or go to www.jeld-wen.com/resources/installation.

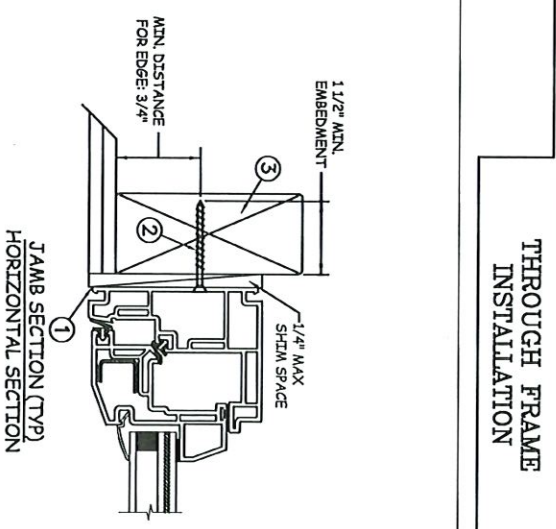
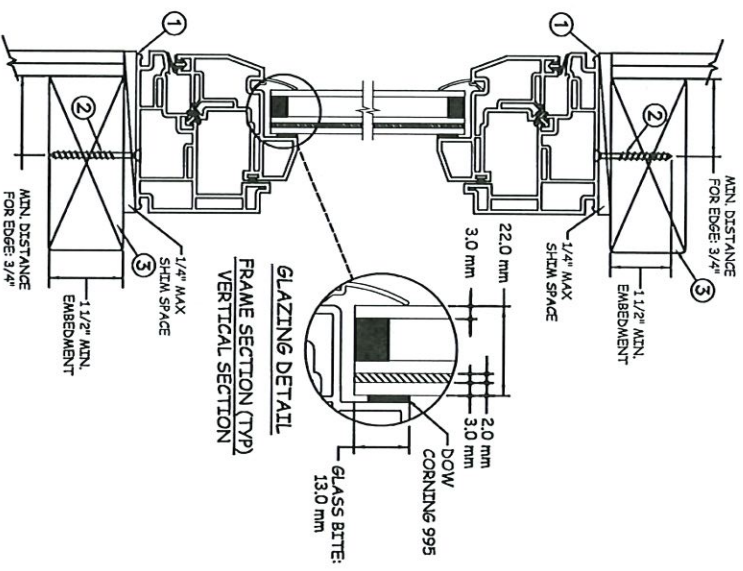
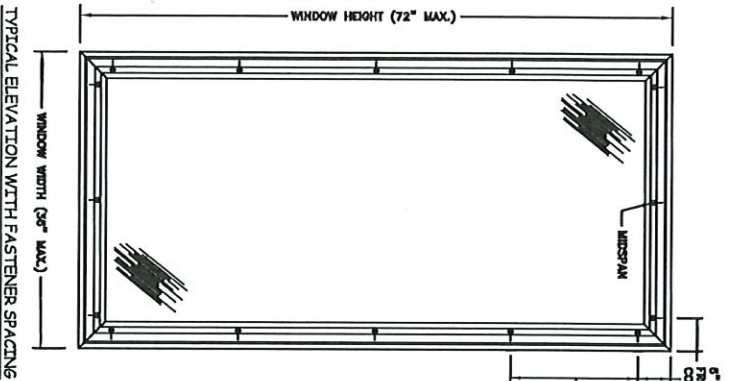
DISCLAIMER:

This drawing and its contents are confidential and are not to be reproduced or copied in whole or in part or used or disclosed to others except as authorized by JELD-WEN Inc.



| | | |
|--------------------------|---------------------|--|
| PROJECT ENGINEER: | DATE: | 10/25/2013 |
| DESIGN BY: | SCALE: | NTS |
| D. VEZO | TITLE: | Premium Atlantic Vinyl Casement Nail Fin Installation (36" x 72") |
| CHECKED BY: | J. Kantola | |
| APPROVED BY: | | |
| PART/PROJECT NO.: | D009452 | |
| IDENTIFIER NO.: | NCTL210-3903-1A-FBC | |
| PLANT NAME AND LOCATION: | | |
| CAD DWG. NO.: | | |
| REV: | 00 | SHEET |
| | | 1 OF 4 |

JELD-WEN
3737 Lakeport Blvd
Klamath Falls, OR, 97601
Phone: (541) 882-3451



PREMIUM ATLANTIC VINYL CASEMENT

| | |
|-----------|------------------|
| Max Frame | DP RATING IMPACT |
| 36 x 72 | +/-50 |
| | YES |

Installation Notes:

1. Seal flange/frame to substrate.
2. Use #10 PH or greater fastener through the frame with sufficient length to penetrate a minimum of 1 1/2" into the wood framing. For 2X wood frame substrate (min. S.G. = 0.42).
3. Host structure (wood buck, masonry, steel) to be designed and anchored to properly transfer all loads to the structure. The host structure is the responsibility of the architect or engineer of record for the project of installation.

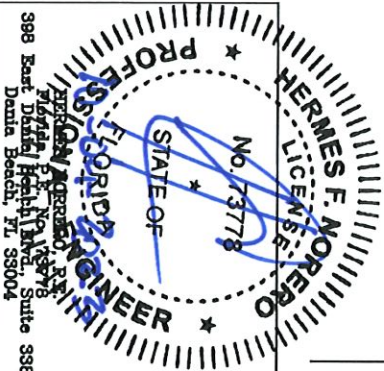
This schedule addresses only the fasteners required to anchor the window to achieve the rated design pressure up to the size limitations noted. It is not intended as a guide to the installation process and does not address he sealing consideration that may arise in different wall conditions. For the complete installation procedure, see the instructions packaged with the window or go to www.jeld-wen.com/resources/installation.

DISCLAIMER:

This drawing and its contents are confidential and are not to be reproduced or copied in whole or in part or used or disclosed to others except as authorized by JELD-WEN Inc.

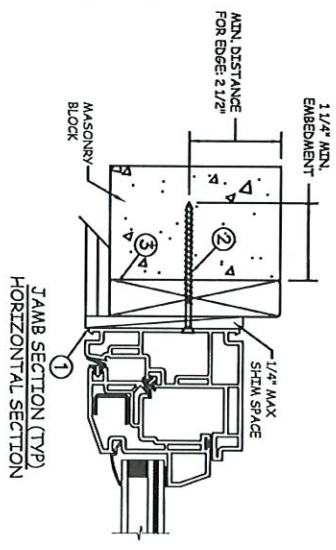
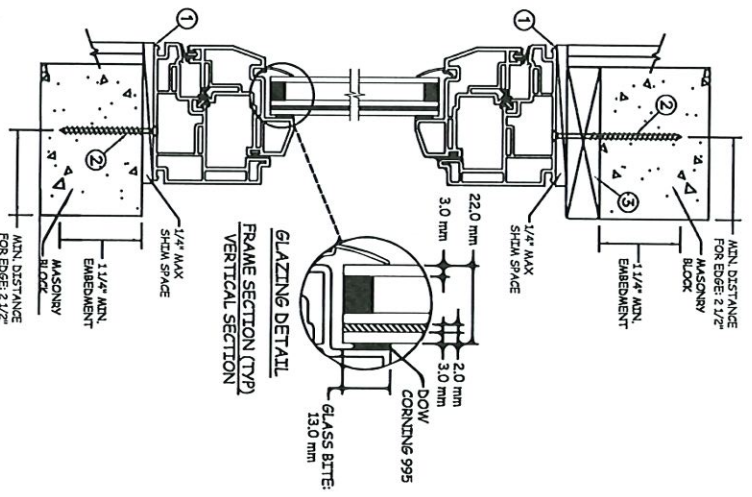
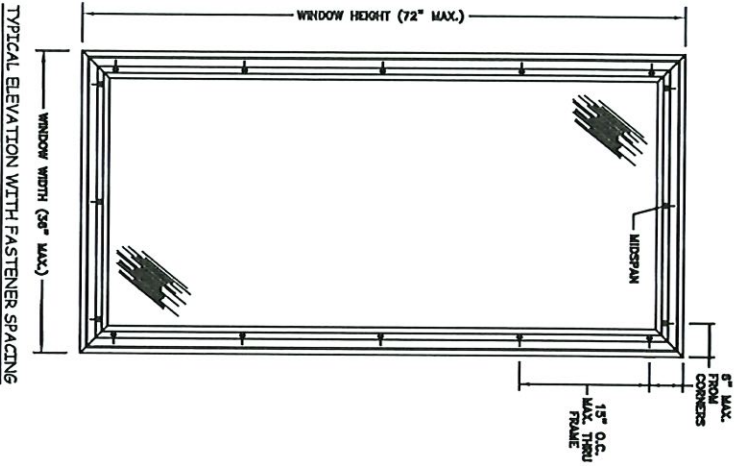
General Notes:

1. The product shown herein is designed, tested and manufactured to comply with the wind load criteria of the adopted International Building Code(IBC), the International Residential Code(IRC), the Florida Building Code(FBC) including HVHZ and the industry requirement for the stated conditions.
2. All glazing shall conform to ASTM E1300.
3. At minimum, glazing is 3mm annealed - 13mm airspace - 3mm annealed - 2mm PVB or SGP - 3mm annealed.
4. Use structural or composite shims where required.
5. Installation methods can be interchanged within the same opening.
6. An impact protective system is not required where wind borne debris protection is mandated by local building code.
7. Maximum sizes are buck sizes and do not include fin or flange.



| | | | |
|---------------------|--------------------------|--|--------|
| PROJECT ENGINEER: | DATE: | 10/25/2013 | |
| DRAWN BY: | SCALE: | NTS | |
| CHECKED BY: | TITLE: | Premium Atlantic Vinyl Casement Through Frame Installation (36" x 72") | |
| APPROVED BY: | | | |
| PART/PROJECT NO.: | PLANT NAME AND LOCATION: | | |
| DRAWING NO.: | CAD DWG. NO.: | REV.: | SHEET: |
| NCTL210-3903-1A-FBC | | 00 | 2 OF 4 |

JELD-WEN
3737 Lakeport Blvd
Klamath Falls, OR. 97601
Phone: (541) 882-3451



MASONRY INSTALLATION

PREMIUM ATLANTIC VINYL CASEMENT

| | |
|-----------|-------------------|
| Max Frame | DP RATING: IMPACT |
| 36 x 72 | +/-50 |
| | YES |

Installation Notes:

1. Seal flange/frame to substrate.
2. Use 3/16" Tapcon or equivalent fasteners through frame with sufficient length to penetrate a minimum of 1 1/4" into concrete or masonry at each location with a 2 1/2" min from edge distance. For concrete (min. f_c = 3000psi) or masonry substrate (CMU shall adhere to ASTM C90).
3. Host structure (wood buck, masonry, steel) to be designed and anchored to properly transfer all loads to the structure. The host structure is the responsibility of the architect or engineer of record for the project of installation.

General Notes:

1. The product shown herein is designed, tested and manufactured to comply with the wind load criteria of the adopted International Building Code(IBC), the International Residential Code(IRC), the Florida Building Code(FBC) including HVHZ and the industry requirement for the stated conditions.
2. All glazing shall conform to ASTM E1300.
3. At minimum, glazing is 3mm annealed - 13mm airspace - 3mm annealed - 2mm PVB or SGP - 3mm annealed.
4. Use structural or composite shims where required.
5. Installation methods can be interchanged within the same opening.
6. An impact protective system is not required where wind borne debris protection is mandated by local building code.
7. Maximum sizes are buck sizes and do not include fin or flange.

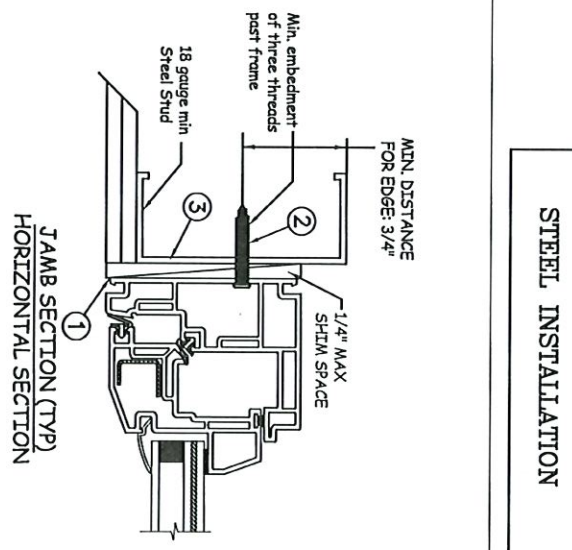
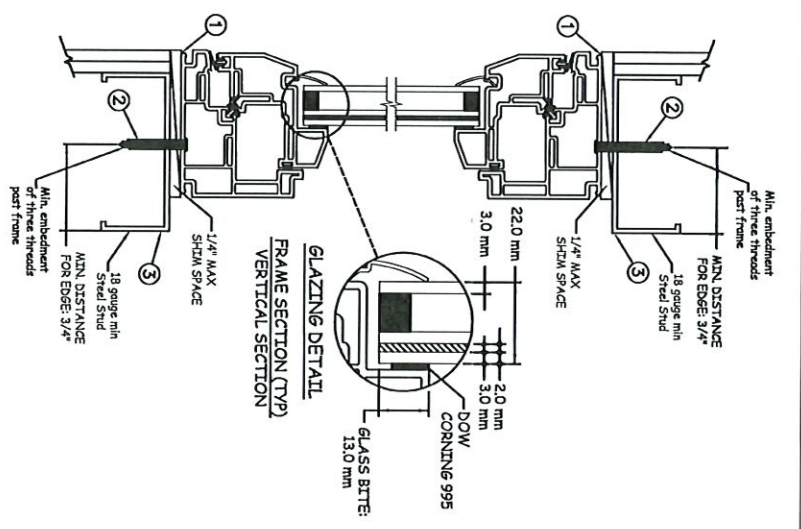
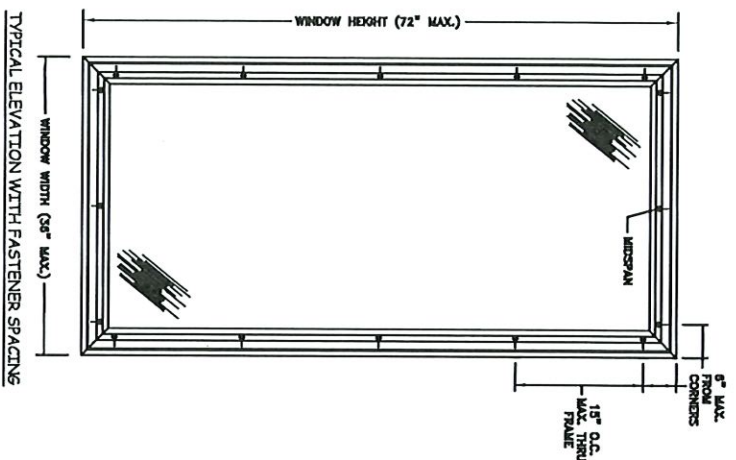
This schedule addresses only the fasteners required to anchor the window to achieve the rated design pressure up to the size limitations noted. It is not intended as a guide to the installation process and does not address he sealing consideration that may arise in different wall conditions. For the complete installation procedure, see the instructions packaged with the window or go to www.jeld-wen.com/resources/Installation.

DISCLAIMER:

This drawing and its contents are confidential and are not to be reproduced or copied in whole or in part or used or disclosed to others except as authorized by JELD-WEN Inc.



| | | |
|-------------------|--------------------------|---|
| PROJECT ENGINEER: | DATE: | 10/25/2013 |
| DRAWN BY: | SCALE: | NTS |
| D. Vezo | TITLE: | Premium Atlantic Vinyl Casement Masonry Installation (36" x 72") |
| CHECKED BY: | | |
| J. Kantola | | |
| APPROVED BY: | | |
| | | |
| PART/PROJECT NO.: | PLANT NAME AND LOCATION: | CAD DWG. NO.: |
| D009452 | NCT1210-3903-1A-FBC | REV: 00 |
| | | SHEET 3 OF 4 |



PREMIUM ATLANTIC VINYL CASEMENT
 Max Frame | DP RATING IMPACT
 36 x 72 | +/-50 | YES

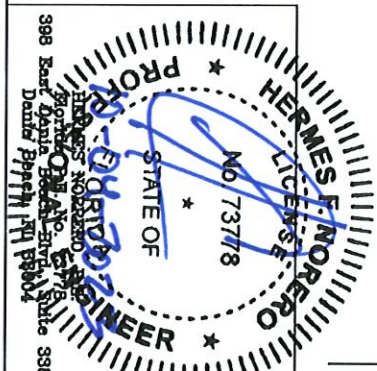
Installation Notes:

1. Seal flange/frame to substrate.
2. For anchoring into metal framing use #10 TEK Self Tapping screws with sufficient length to achieve a minimum embedment of three threads past the frame thickness. Steel substrate min. 18ga., fy = 33 ksi.
3. Host structure (wood buck, masonry, steel) to be designed and anchored to properly transfer all loads to the structure. The host structure is the responsibility of the architect or engineer of record for the project of installation.

This schedule addresses only the fasteners required to anchor the window to achieve the rated design pressure up to the size limitations noted. It is not intended as a guide to the installation process and does not address he sealing consideration that may arise in different wall conditions. For the complete installation procedure, see the instructions packaged with the window or go to www.jeld-wen.com/resources/installation.

DISCLAIMER:

This drawing and its contents are confidential and are not to be reproduced or copied in whole or in part or used or disclosed to others except as authorized by JELD-WEN Inc.



- General Notes:**
1. The product shown herein is designed, tested and manufactured to comply with the wind load criteria of the adopted International Building Code(IBC), the International Residential Code(IRC), the Florida Building Code(FBC) including HVHZ and the industry requirement for the stated conditions.
 2. All glazing shall conform to ASTM E1300.
 3. At minimum, glazing is 3mm annealed - 13mm airspace - 3mm annealed - 2mm PVB or SGP - 3mm annealed.
 4. Use structural or composite shims where required.
 5. Installation methods can be interchanged within the same opening.
 6. An impact protective system is not required where wind borne debris protection is mandated by local building code.
 7. Maximum sizes are buck sizes and do not include fin or flange.

| | | | |
|---------------------|--------------------------|---------------------------------|--------|
| PROJECT ENGINEER: | DATE: | 10/25/2013 | |
| DESIGN BY: | SCALE: | NTS | |
| DRAWN BY: | CHECKED BY: | J. Kantola | |
| D. VEZO | APPROVED BY: | --- | |
| PART/PROJECT No.: | PLANT NAME AND LOCATION: | Premium Atlantic Vinyl Casement | |
| D009452 | | Steel Installation (36" x 72") | |
| IDENTIFIER No.: | CAD DWG. No.: | REV.: | SHEET: |
| NCTL210-3903-1A-FBC | | 00 | 4 OF 4 |

JELD-WEN
 3737 Lakeport Blvd
 Klamath Falls, OR, 97601
 Phone: (541) 882-3451